

Zechini

Equipment

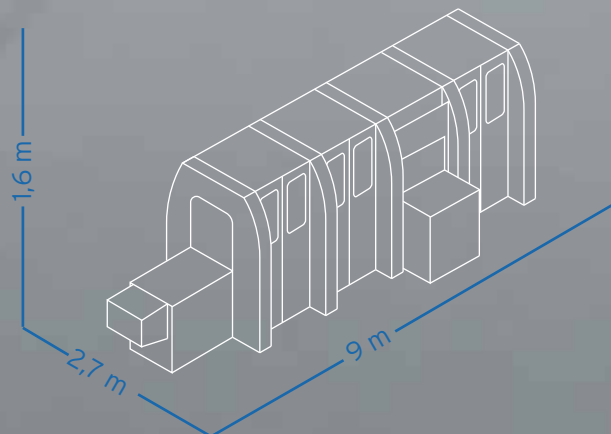
# Roby 1800 XL

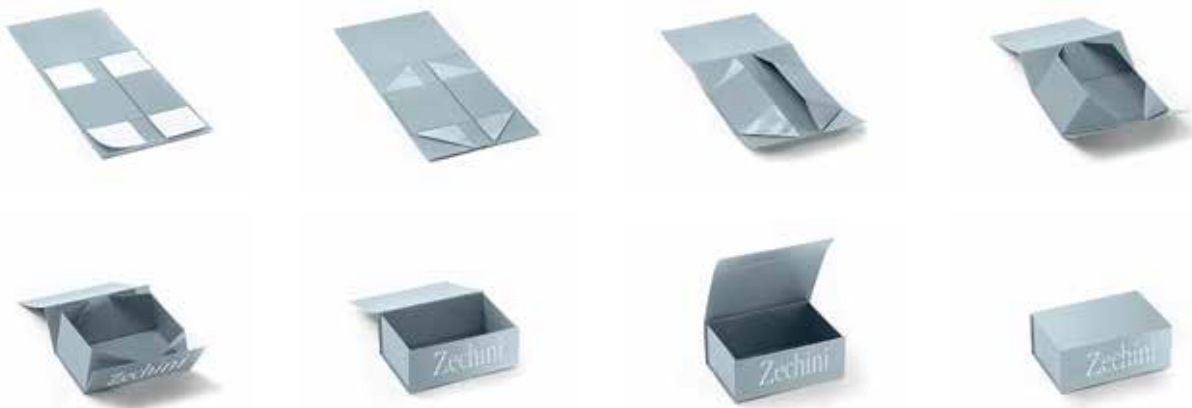
## Automatic casemaker

For the production of ○ Side ● Mono ○ Still - RevoBox System

☐ Max size 60x100 cm ⌚ Speed 1400 cycles/h

Roby 1800 Box comes from the experience of the automatic case-maker Roby 1800. The book covers can now be used, with small but important changes, for the luxury boxes production.





---

## Gluing unit

## Covering material feeder

- + Paper and laminated paper
- + Polyurethane
- + Fabric
- + Other covering materials

---

## Turning-in station

## Board feeder

- + Max number of pieces: 6 (standard)
- + Max cardboard thickness: mm 3

---

## Delivery on stacker

## Magnets inserter

- + Max number of magnets: 4

---

### It can produce:

- + Single-piece cases
- + Cases made of up-to-6 pieces

### Machine versions:

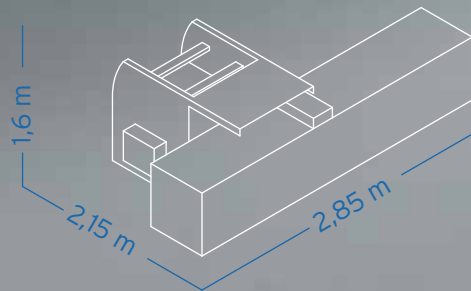
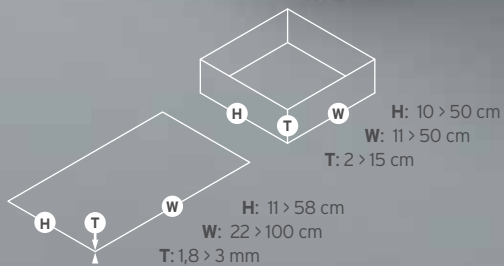
- + Roby 1800 XL: standard version
- + Roby 1800 XL Box: complete version large-size format (60 x 100 cm) for boxes
- + Lining 1800 XL: for lining

# C.I.P.

## Automatic box positioner

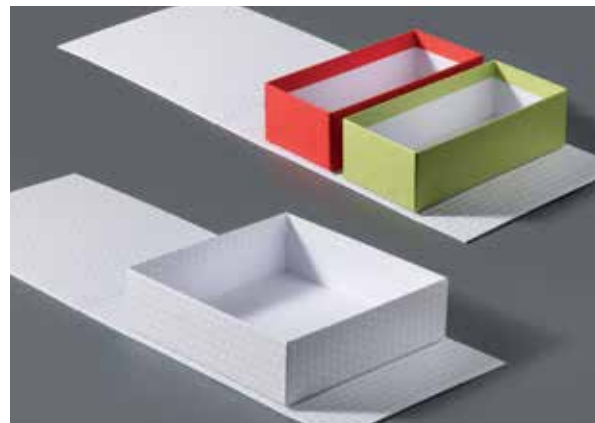
For the production of ○ Still - RevoBox System

⌚ Speed 1200 cycles/h



### C.I.P is composed of:

- + Automatic cover feeder
- + Hot melt gluing unit
- + Box feeder (and possible in-line connection with box making unit)
- + Automatic box positioner (up to 2 pieces - OPTIONAL)
- + Mounting unit
- + Delivery (upon request)

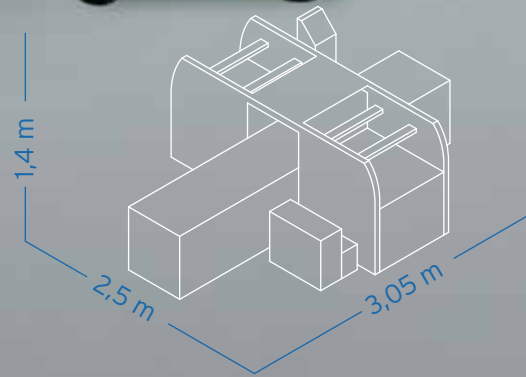
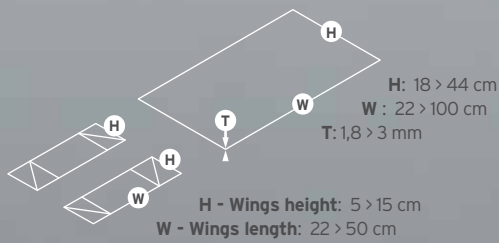


# C.I.O.P.

## Automatic wings positioner

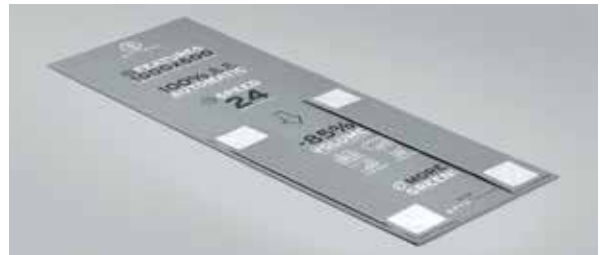
For the production of ○ Side - RevoBox System

🕒 Speed 1200 cycles/h



### C.I.O.P. is composed of:

- + Automatic cover feeder
- + Hot melt gluing unit
- + 2 automatic wings feeders
- + Folding unit
- + Pressing unit
- + Delivery (upon request)

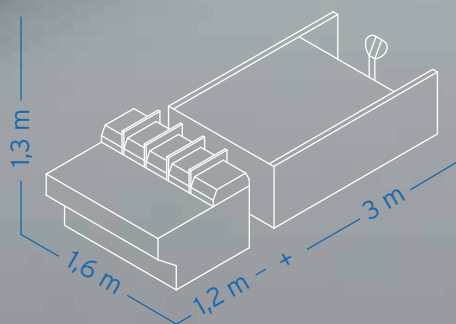
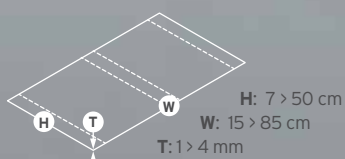


# Symphony

## Grooving machine for cardboard

For the production of ○ Side ● Mono ○ Still - RevoBox System

☐ Max size 85 cm ⌚ Speed 40 m/min.



### Description:

It is equipped with 90° or 120° V-shaped single blades, and it is able to groove the board in up to 5 different points without any dust. This equipment can be used for the production both of hard covers and boxes.

#### There are two versions:

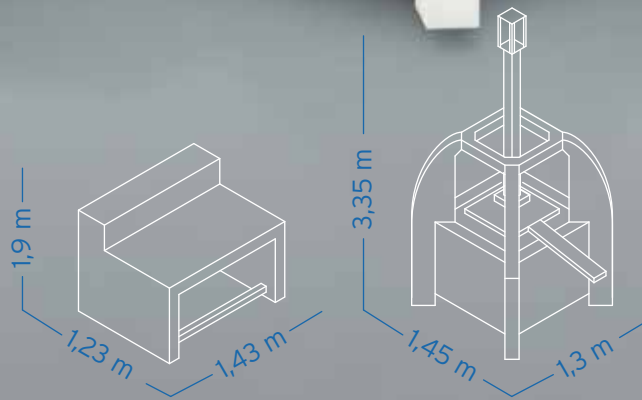
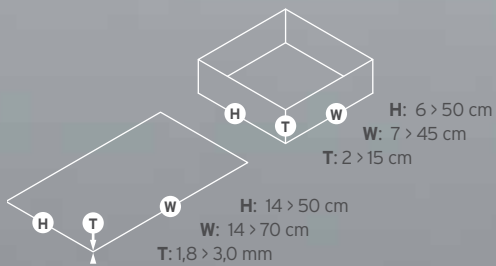
- + The machine is just equipped with a delivery slide
- + OPTIONAL: exit belt with automatic delivery on pallet (maximum pile height: 1 m)



# Bonsai

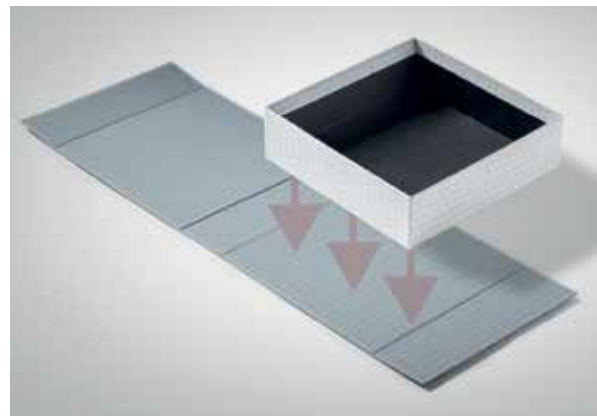
Solution for the production (short and medium run)  
of rigid box with foldable covers

For the production of  Still - RevoBox System






## With this solution it is possible to:

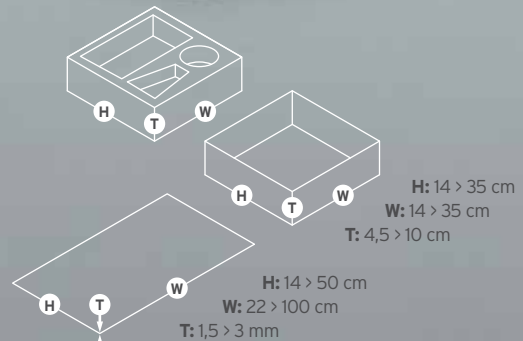
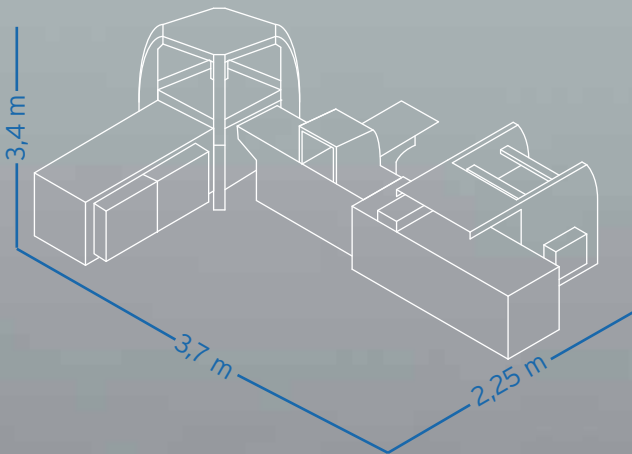
- + Glue and mount the box
- + Wrap the box
- + Produce up-to-5-pieces covers  
or covers with one single grooved board
- + Insert the magnets
- + Glue the lining
- + Mount cover and box together



# WRS-500

The new wide-ranging solution for packaging with integrated robotic

For the production of  Still - RevoBox System, with thermoform denester and inserter, plus  Pick&Place Technology for box filling.  
 Speed 900 cycles/h



*\*Technical specifications may change without notice*



## WRS-500 is composed of:

- + C.I.P. - Cover feeder, Box feeder and positioner
- + Tray - Thermoform denester and inserter
- + Hawk - Products inserter

## Perfect for:

- + Fast and dynamic solution for a complete packaging line



---

The new WRS-500 is able to produce the Still RevoBox packing system.  
It can glue boxes on covers, place trays inside and then different kinds of products,  
for example perfumes, cosmetics, pens, carpet samples and more.



**TRAY**  
Thermoform inserter

+ Thermoform denester and inserter

**C.I.P.**  
Automatic box positioner

+ Automatic cover feeder  
+ Hot melt guns gluing system  
+ For rigid or soft boxes  
to be fixed onto the cover

**HAWK**  
Pick and place robot for box filling

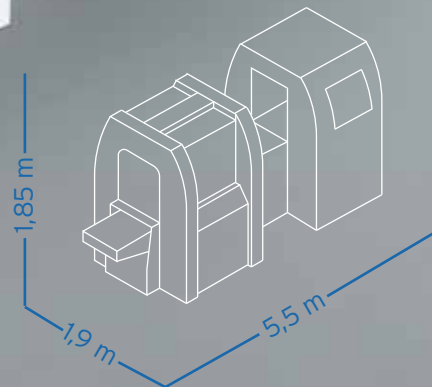
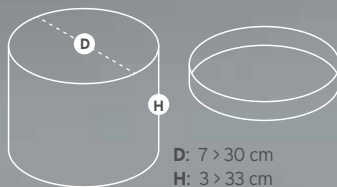
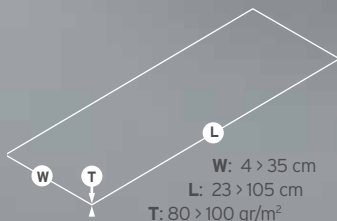
+ Zetapunto's Teaching By Demonstration  
software technology

# TEBE

## Automatic luxury round box maker

For the production of ○ Round - RevoBox System

🕒 Speed 300 cycles/h



\*Technical specifications may change without notice.

### TEBE is composed of:

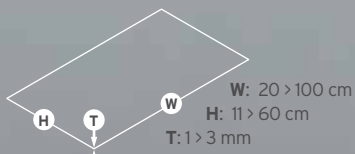
- + Paper feeder
- + Hot gluing unit
- + Positioner for preformed tube
- + Top and bottom folding unit



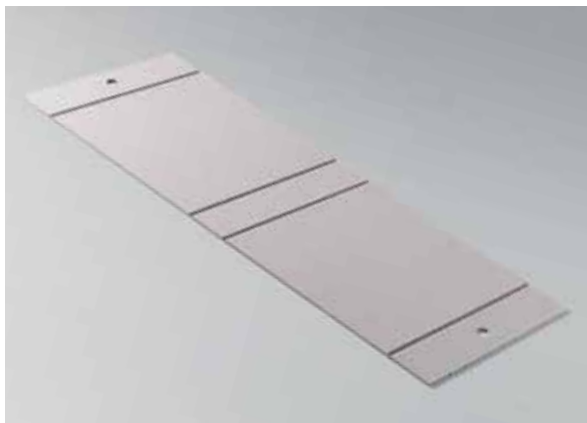
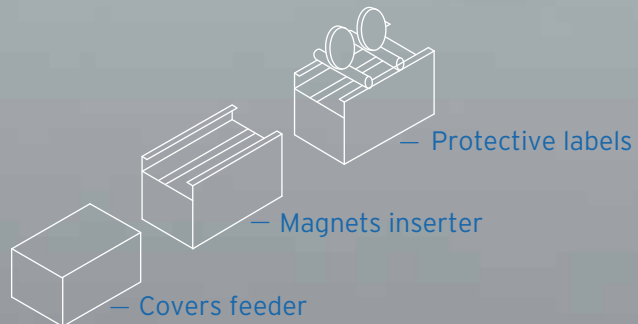
# MAGNETON SCPK

## Magnets inserter

For the production of hard covers with magnets



\*Technical specifications may change without notice.



### MAGNETON SCPK is composed of:

- + No stop covers feeder
- + Magnets inserter
- + Protective labels

### Perfect for:

- + Covers with magnets

*MAGNETON SCPK can be connected in line with the main casemaker machines*

# Zechini

Via G. Di Vittorio, 2 - 20090 Vimodrone - Milano, Italy  
Tel +39 022650713 - Fax +39 022650684  
info@zechini.com - www.zechini.com



RevoBox  
by Zechini

[www.revobox.it](http://www.revobox.it)